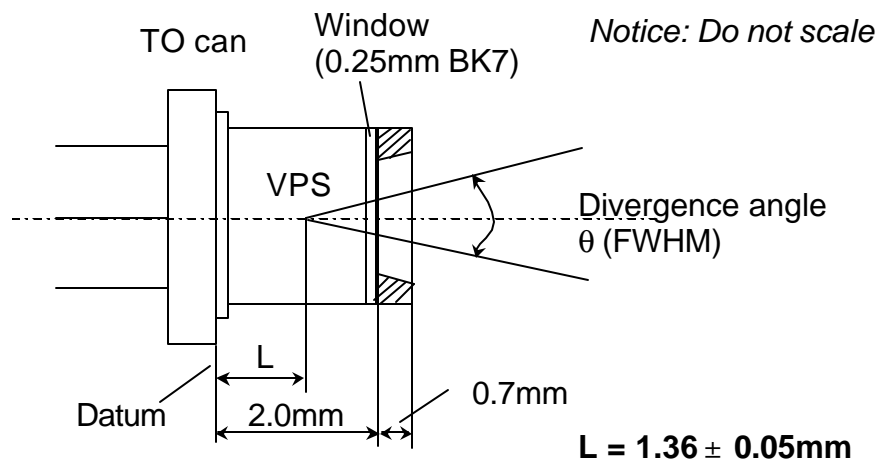


Blue Sky Research

The location of the VPS in VPSL device

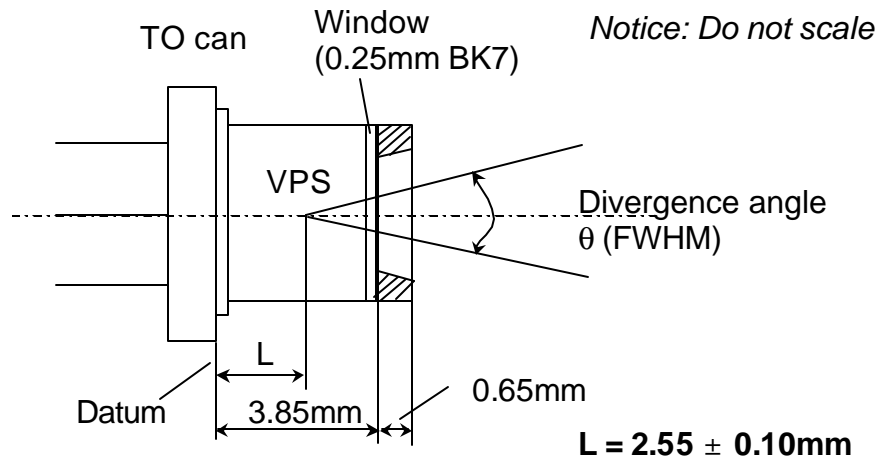
Blue Sky Research's μ Lens technology is developed to correct the circularity and astigmatism of a laser diode beam at the same time. After a microlens, a virtual point source (VPS) is formed so that the beam seems like emitting from the virtual point source with divergence angle θ . All the aberrations are corrected and the beam becomes circular. The VPS is located away from the emitting point (front facet) of the laser diode and the distances from VPS to datum are calculated as below:

I. For 5.6mm TO can package*



- Apply to all the VPSL using Hitachi diode (HLxxxx);
- Apply to all the diodes with 1.25-1.30mm distance from datum to the emitting point;
- For other models please contact Blue Sky Research.

II. For 9mm TO can package**



- Apply to all the VPSL using Hitachi diode (HLxxxx) and SDL diode (SDL-54xxG1);
- Apply to all the diodes with 2.45mm-2.5mm distance from datum to the emitting point;
- For other models please contact Blue Sky Research.